

Lumen Industries Corporation

Made in U.S.A.

**Low Voltage DC Lighting Systems
Specialized for Entire Waterfront Environment
Nine Years Consumer Satisfaction**

“As Bright As Lumen”

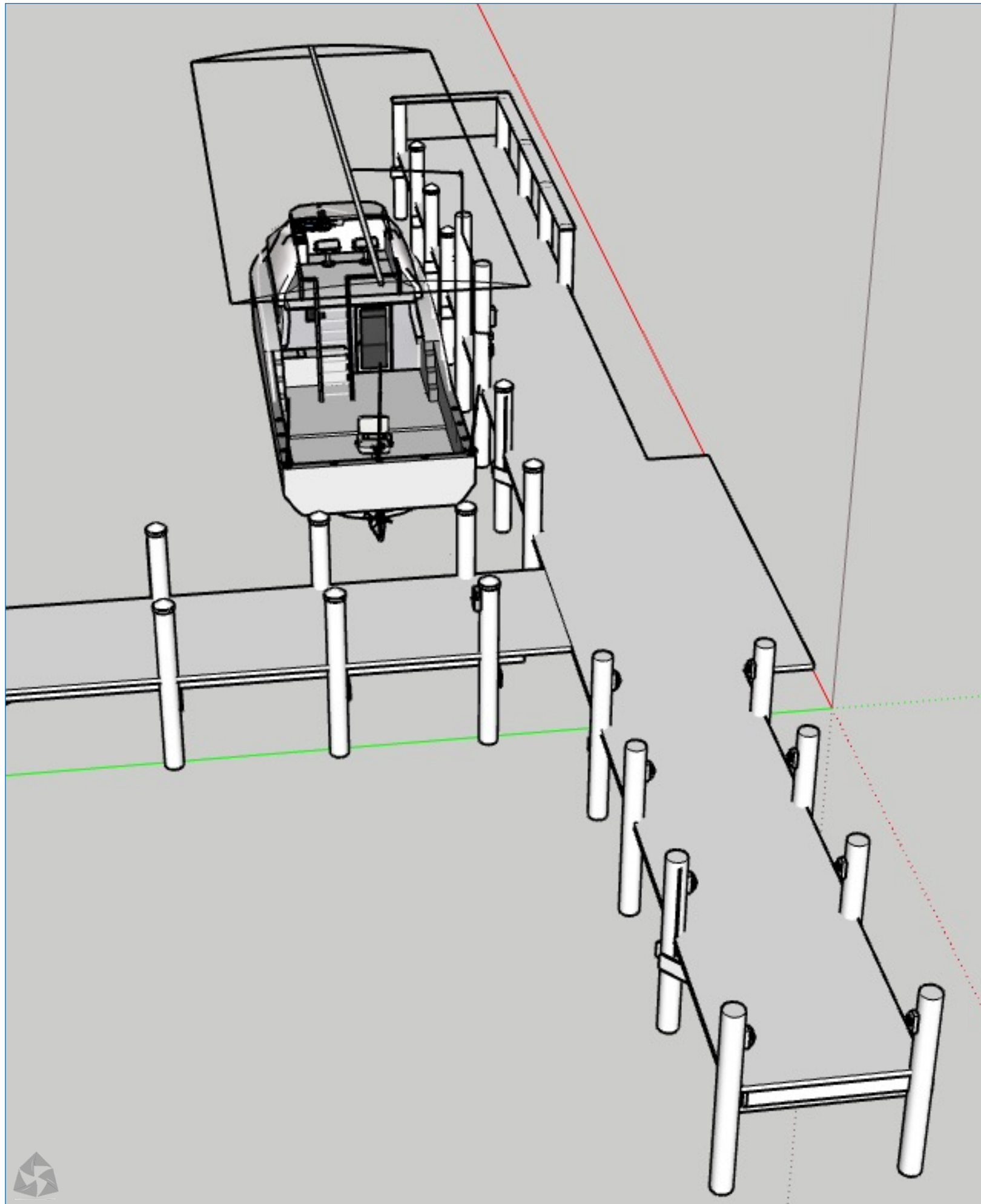


www.AsLumen.com

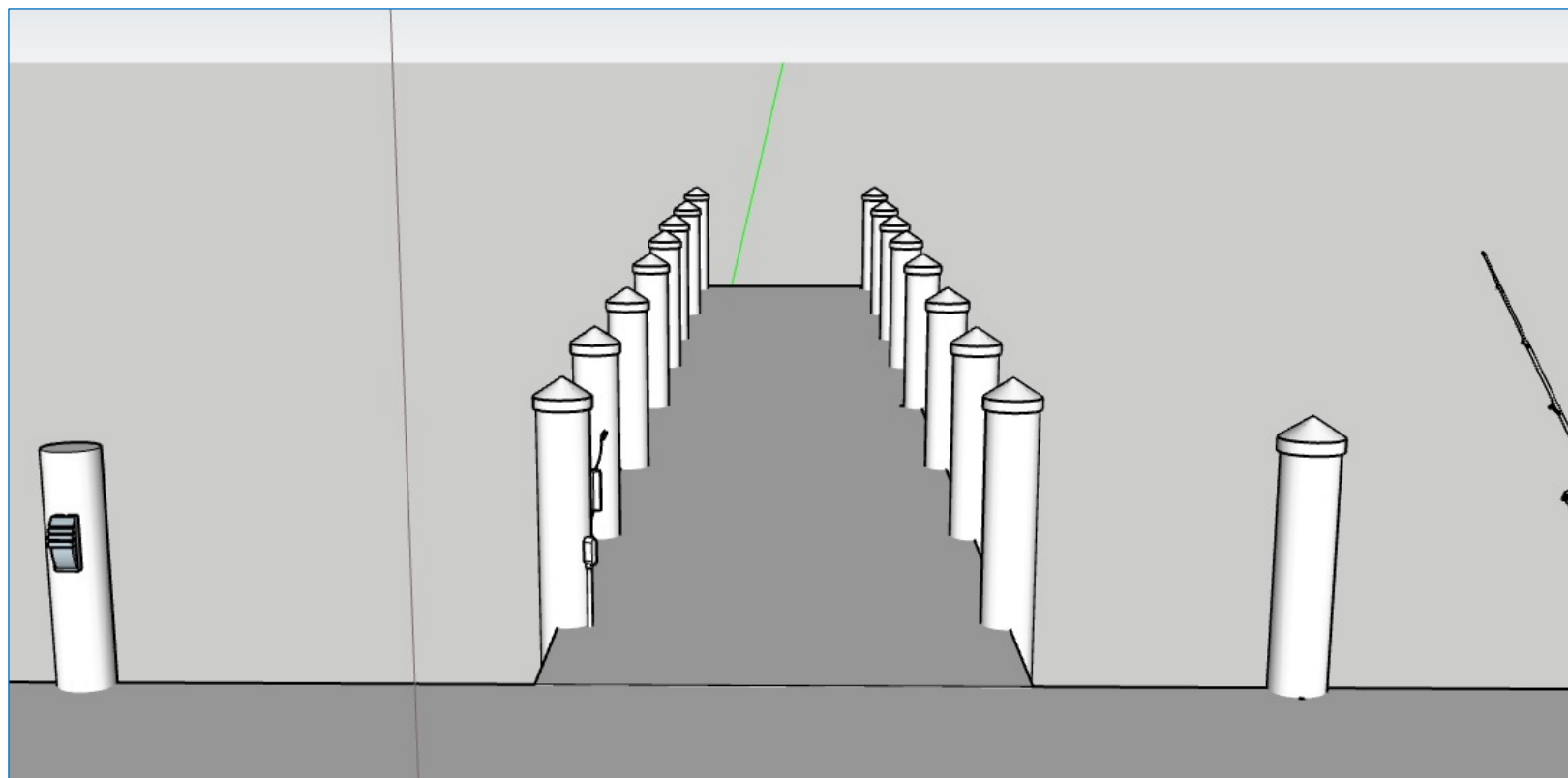
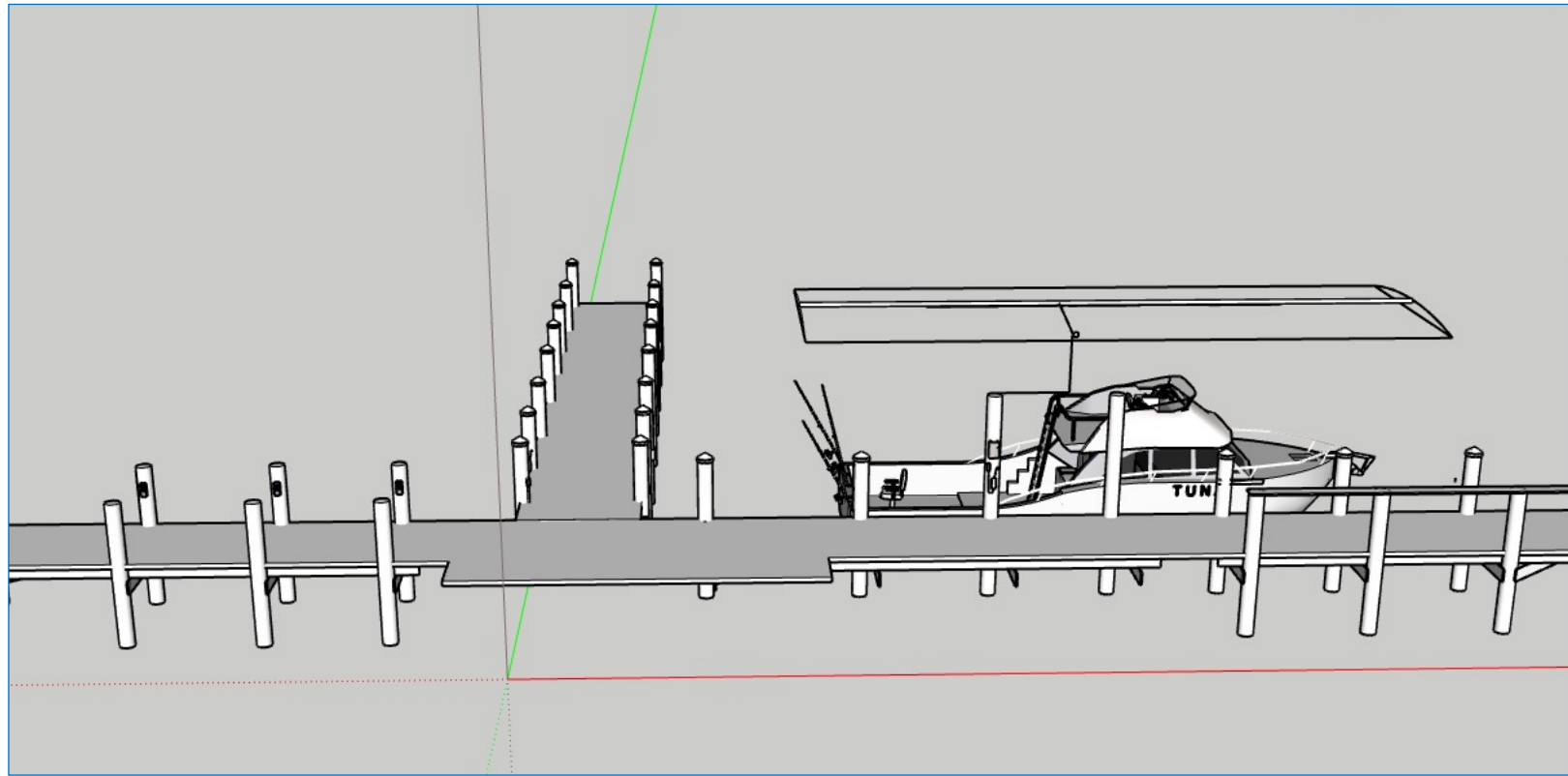
877-AS-LUMEN

**3048 Del Prado Blvd. S., Unit 115,
Cape Coral, FL 33904**

Low Voltage DC Lighting Fixtures

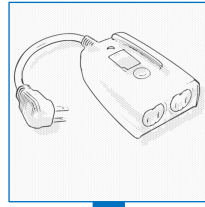


Engineering Renderings

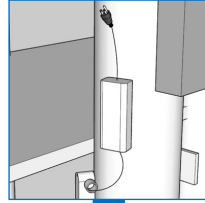


Components and Combinations

Timer with photo-eye,
plugged in standard
electricity wall outlet



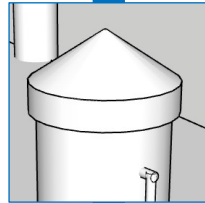
Outdoor
Converter



extension
wire



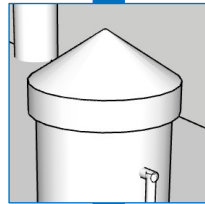
Light 1



extension
wire



Light 2



extension
wire



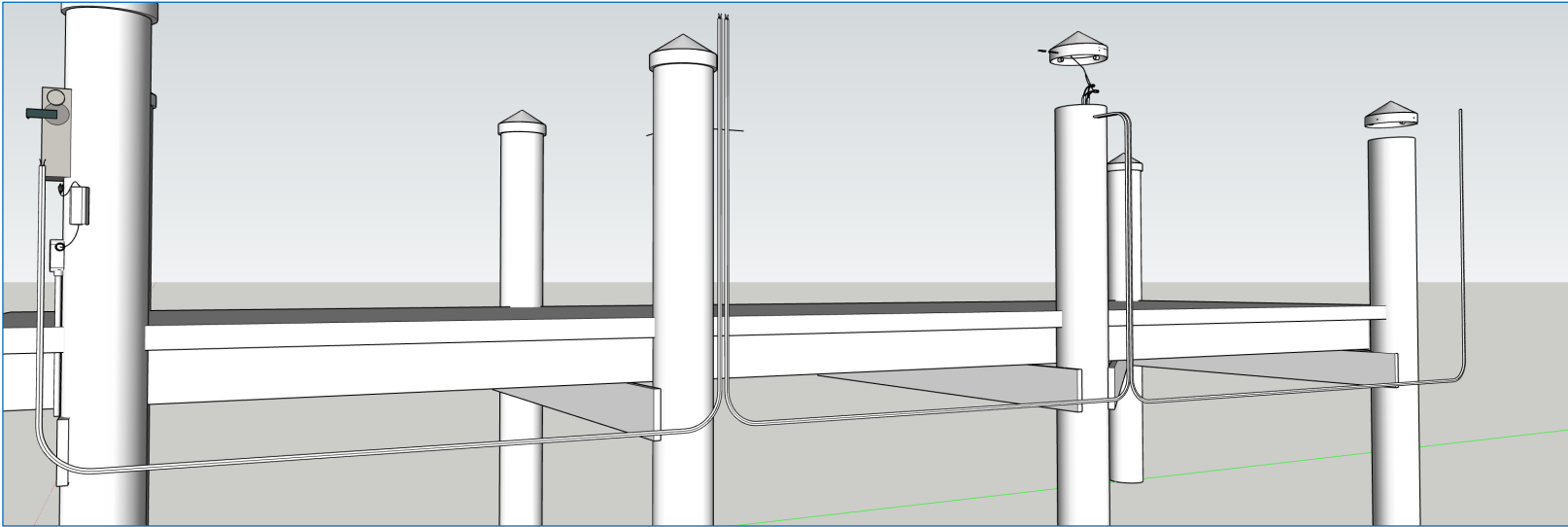
More Lights as Needed

Components
available for
purchase in
online portal

Extension wires,
conduits,
junction boxes
and mounting
hardware
provided and
tailored by
dealers

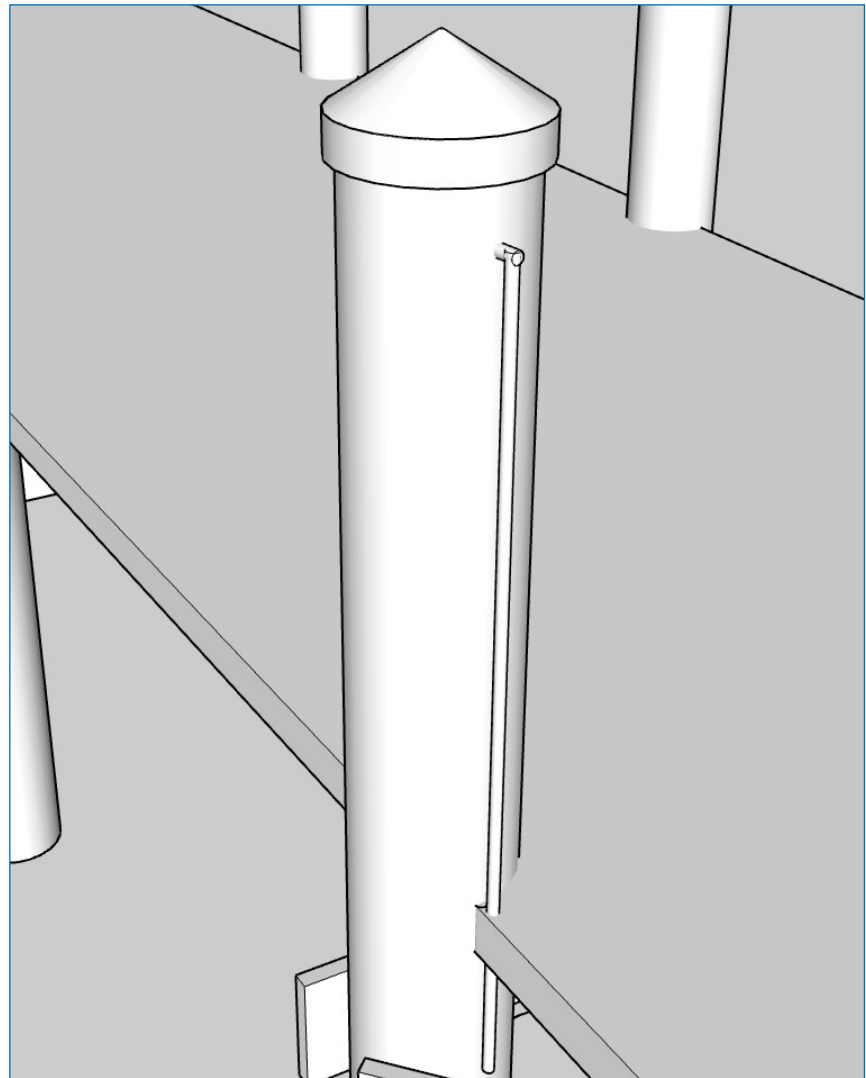


Installation and Mounting

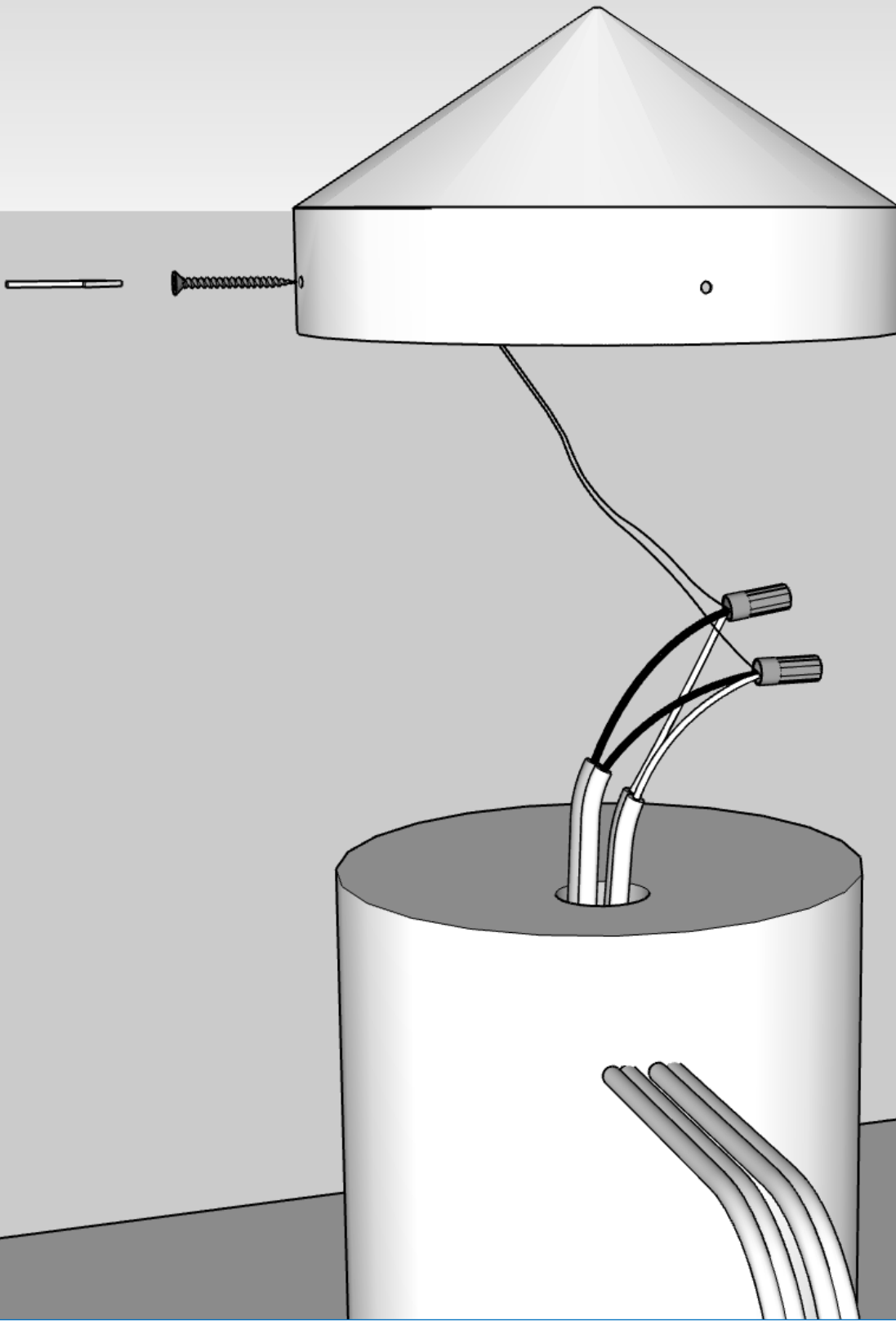


Each U-shape extension wire is tailored, threaded and stapled under dock deck or behind structures

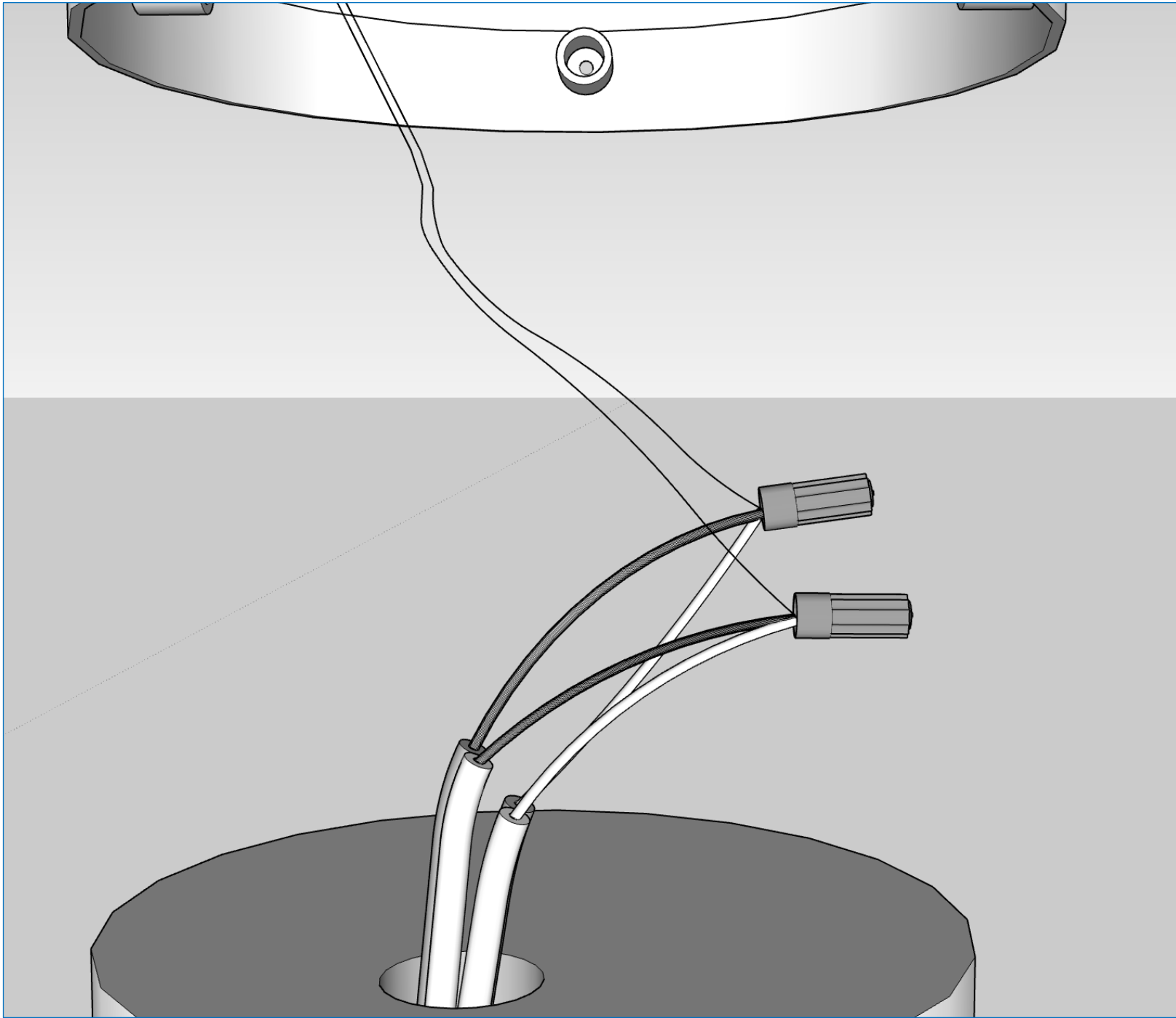
When extension wire is out of dock deck, thread the wire through conduits, for aesthetic purpose



Installation and Mounting



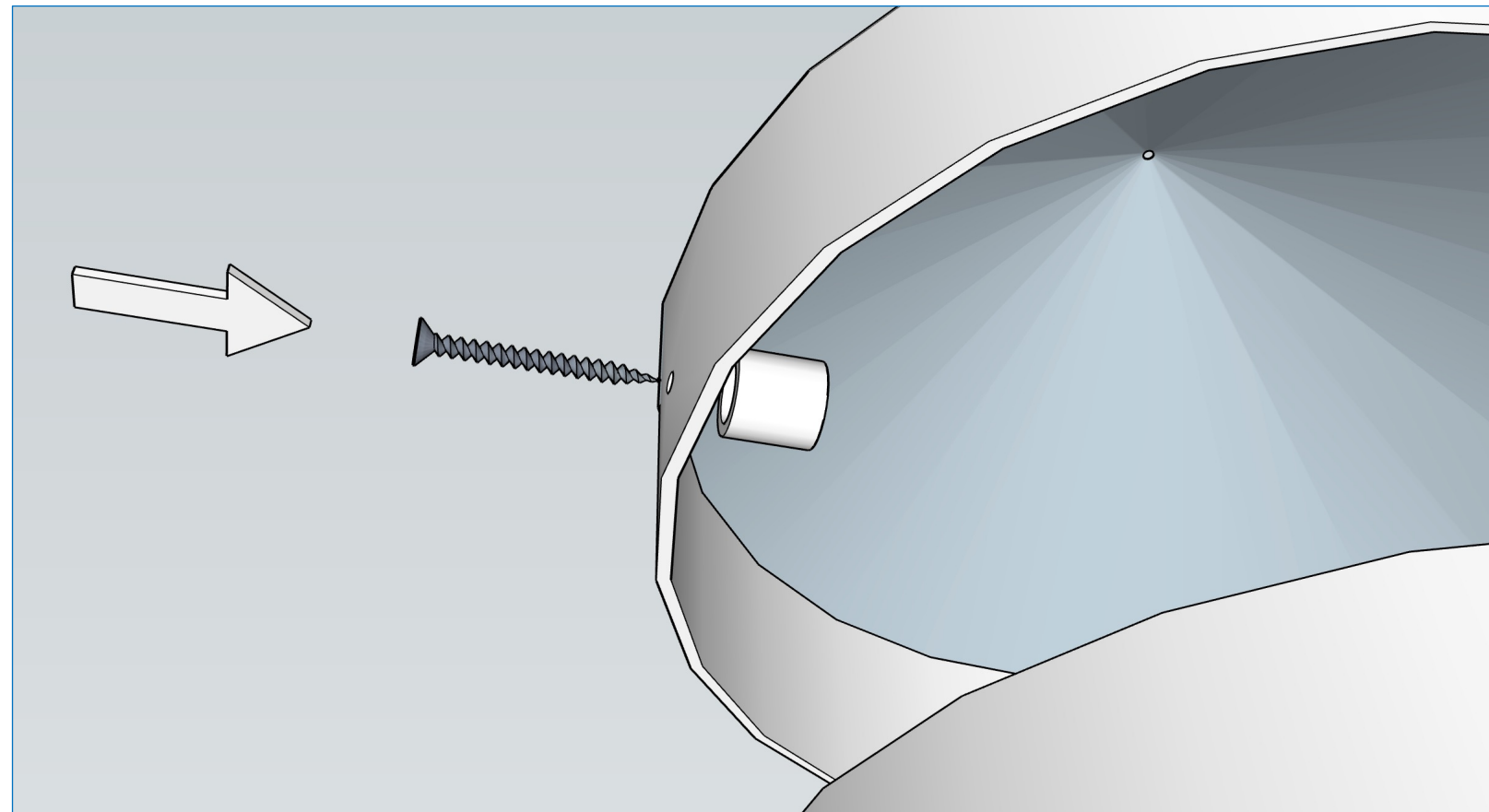
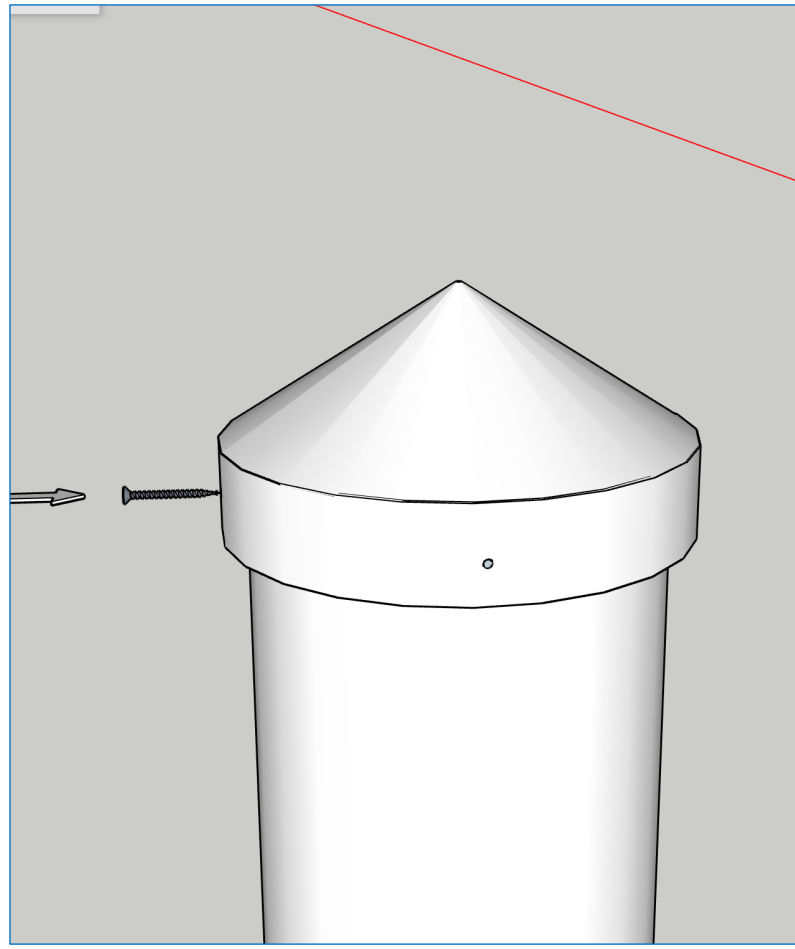
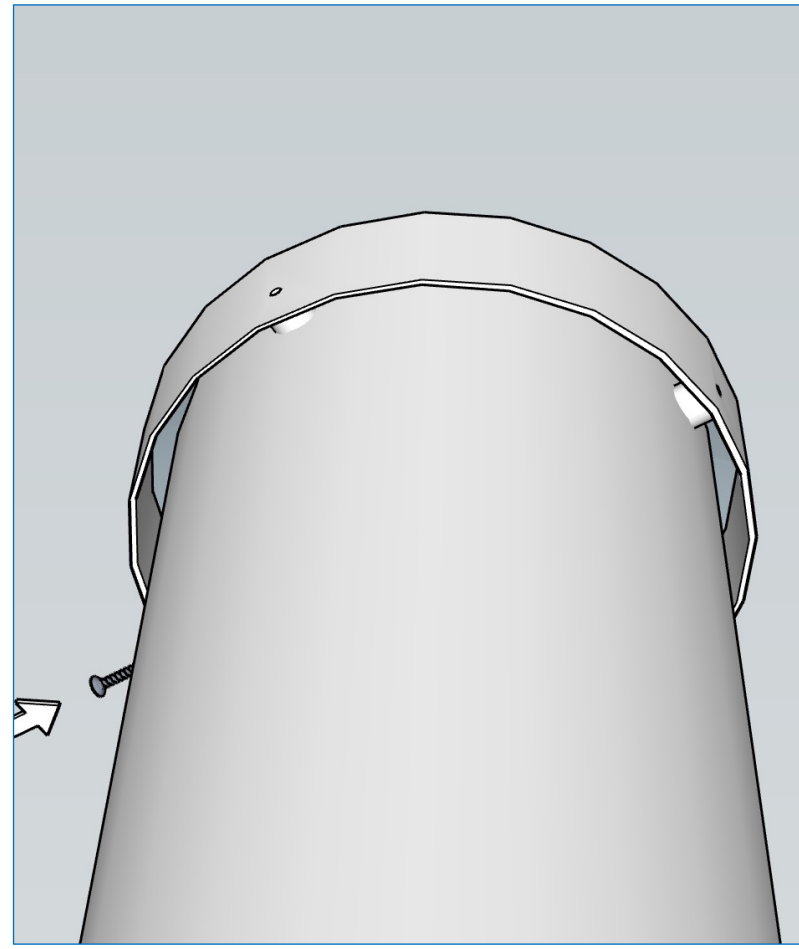
Installation and Mounting



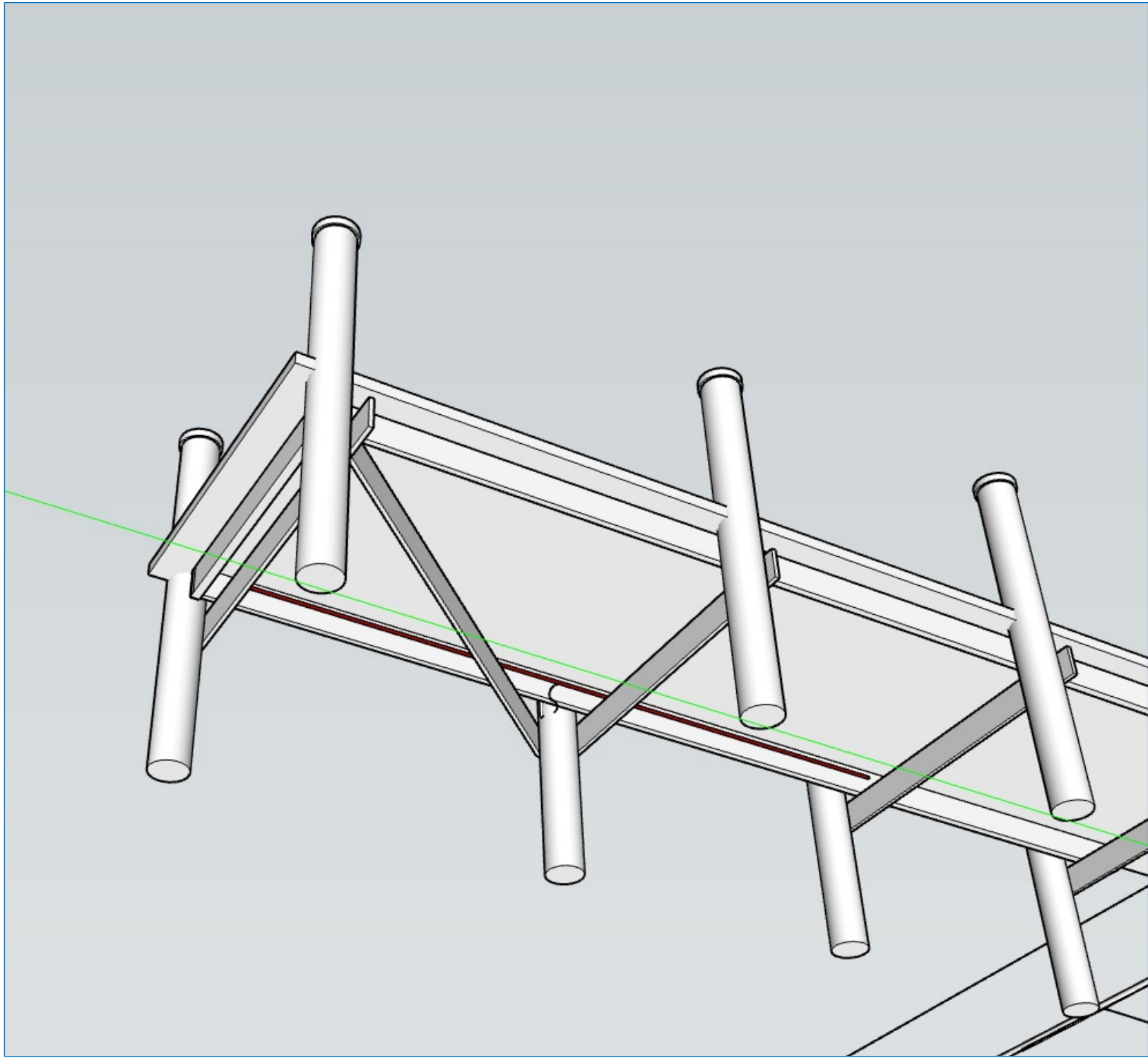
In connections, connect multiple positive conductors together and multiple negative conductors together. If connect incorrectly lights will not light up but will not break either; then re-connect them correctly.



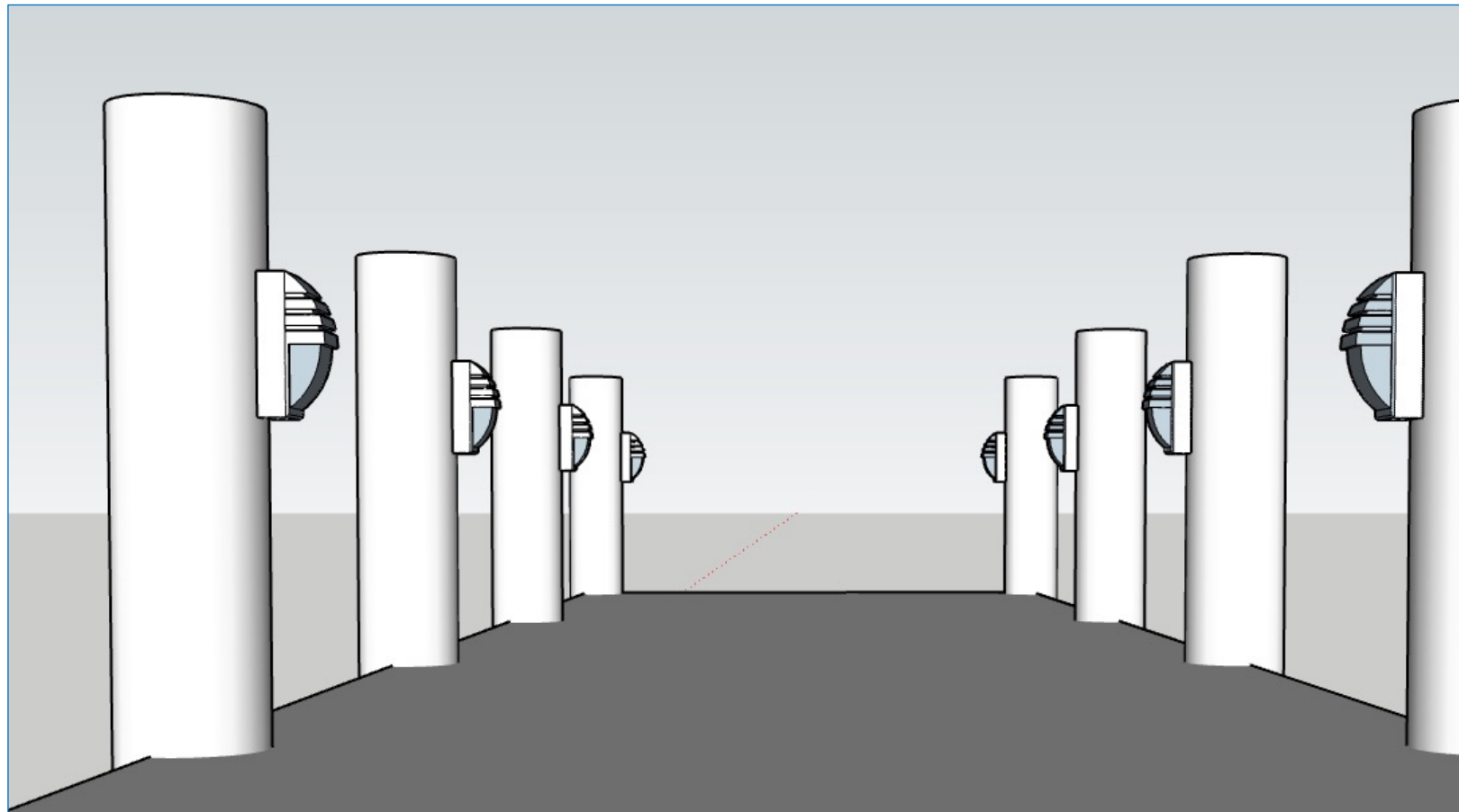
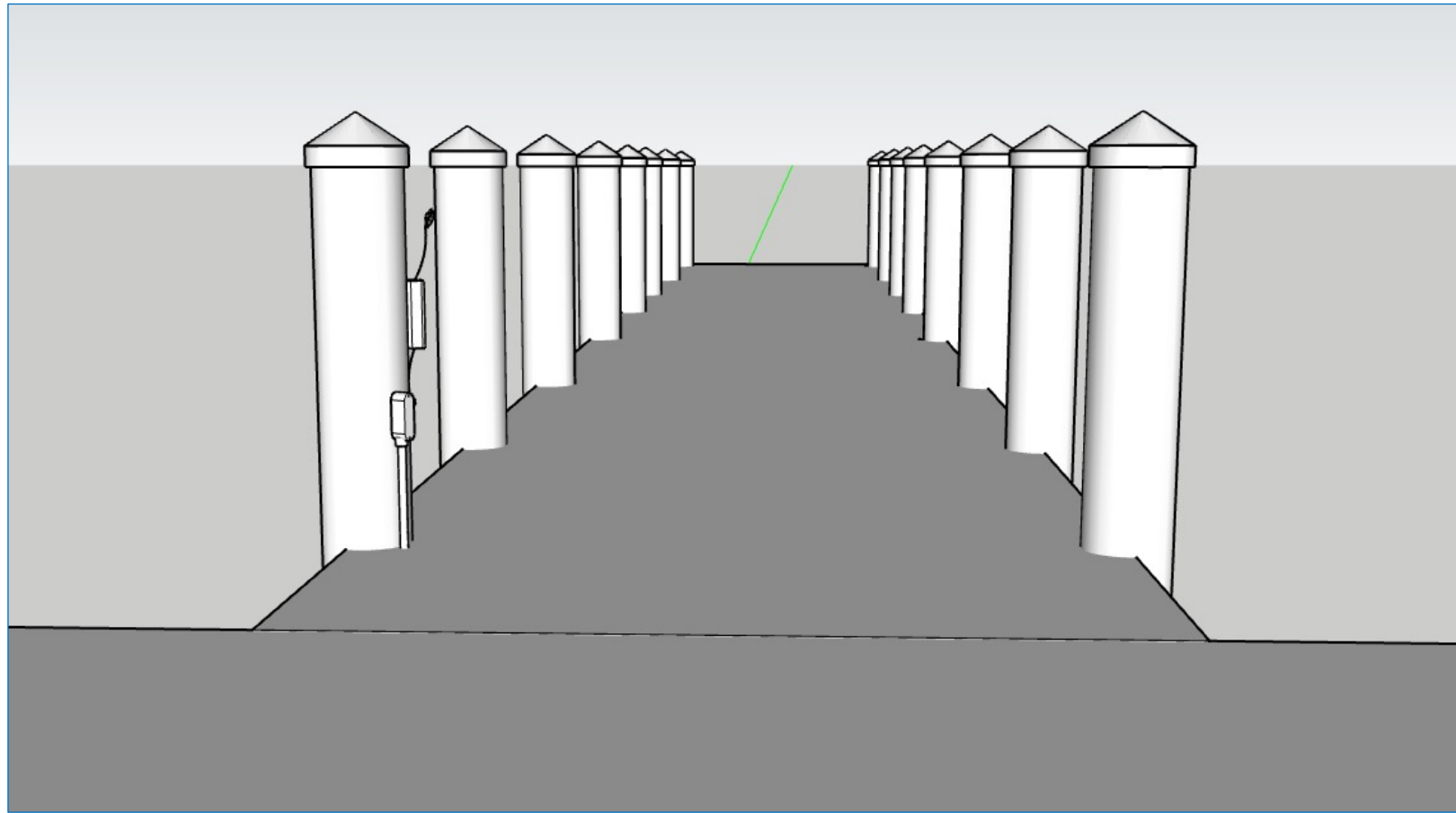
Mounting



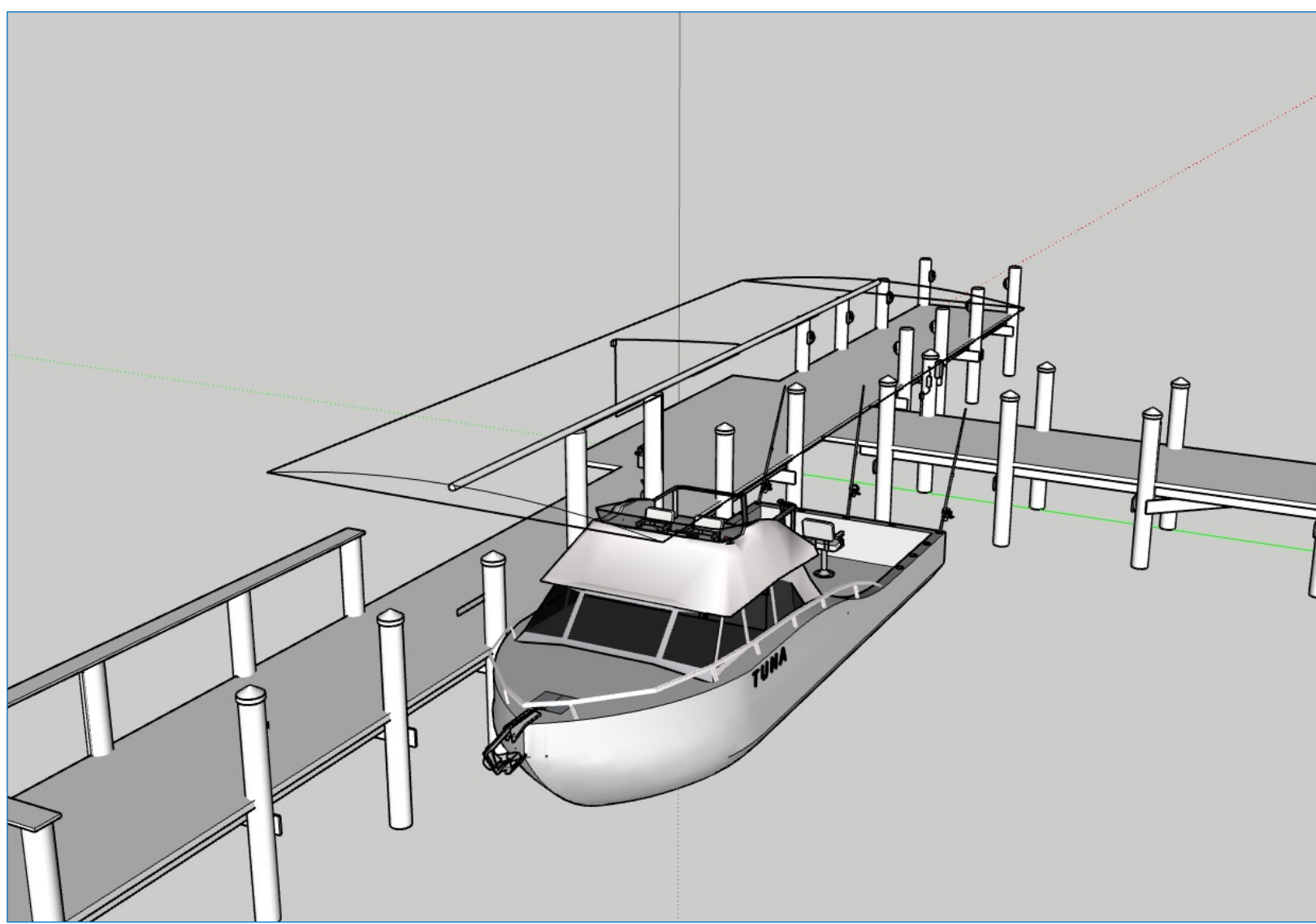
Engineering Renderings



Engineering Renderings



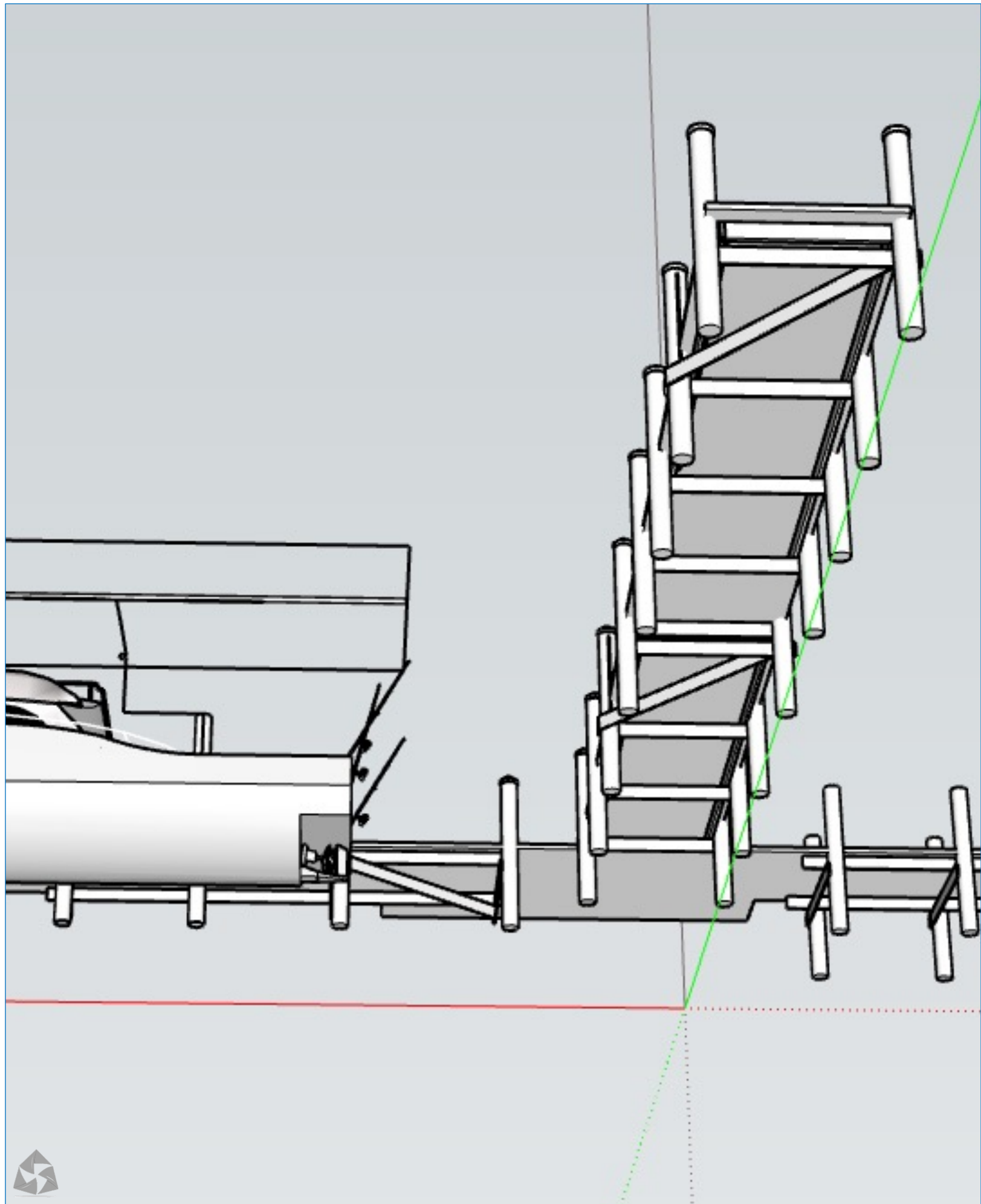
Product Packaging and Receiving



Product packages include the components dealers pick. Please temporarily connect the lighting fixtures to the converter to make sure they work properly before mounting.



Engineering Renderings





“As Bright As Lumen”

Made in U.S.A.